

# IR3060MF2-125 IR Mixer

4.1 to 6.1 GHz operation



Features
Broadband Frequency Operation
Excellent Conversion Loss
High port-to-port isolation
Frequency Converter Applications

Maximum Ratings	
Operating Temperature	-40 to +85°C
Storage Temperature	-65 to +150°C
Peak I/P Power For Any Port	+23 dBm Peak
Peak I/P Power For All Ports	+26 dBm Peak
Peak I/P Current @ +25°C	100mA

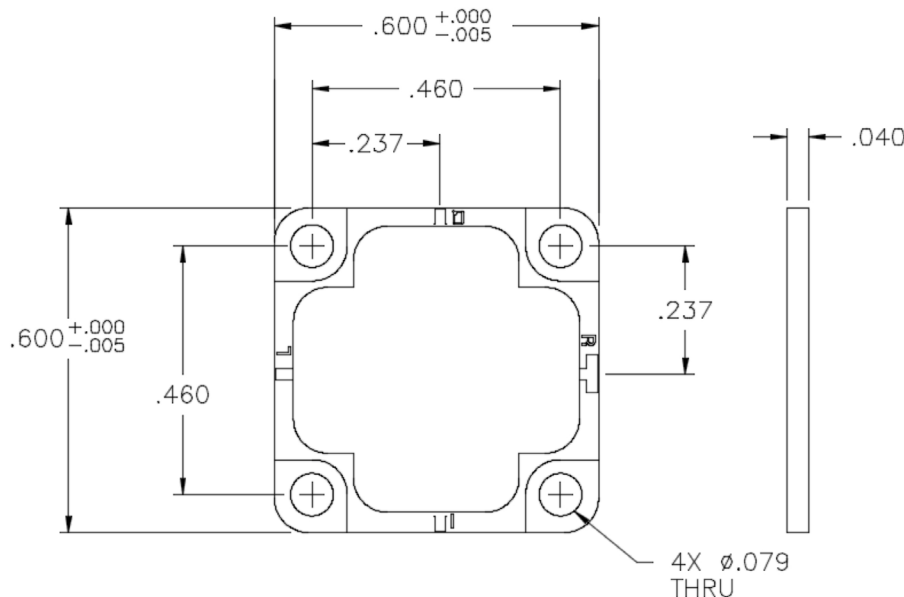
Product Export Classification
ECCN: EAR 99 (unless otherwise specified)
HTS: 8541.10.0000

Parameters	Freq. (GHz)	Minimum (dB)	Typical (dB)	Maximum (dB)	Units	Conditions
<b>Conversion Loss</b>						
RF Input	3.2 to 5.2		7.0	8.0	dB	
LO Input	4.1 to 6.1					
IF Output	0.9					
VSWR	LO&IF RF			2.0:1		
<b>Isolation</b>						
L-R Isolation		25.0	30.0		dB	
L-IQ Isolation		25.0	28.0		dB	
RF-I/Q						
Spurious (In-band) 4IF	2LO X -4IF		-60		dBc	
	2LO X -3IF		-60		dBc	
Input IP3						
1dB Compression Point			+4.0		dBm	
LO Drive			+10.0	+14.0	dBm	
Image Rejection		16.0	18.0		dB	
Amplitude Match			N/A			
Phase Match			N/A			

**NOTES:**

1. Typical values are measured at +25°C and are not guaranteed.

Package Outline: F2



DISCLAIMER: Subject to change without notice. Rev(-) 09/5/19